

PROJECT

CAPSTONE
INTERNAL DOCUMENT

SHEET TITLE

C65 HEV DIMENSIONS
ENGINE & GENERATOR

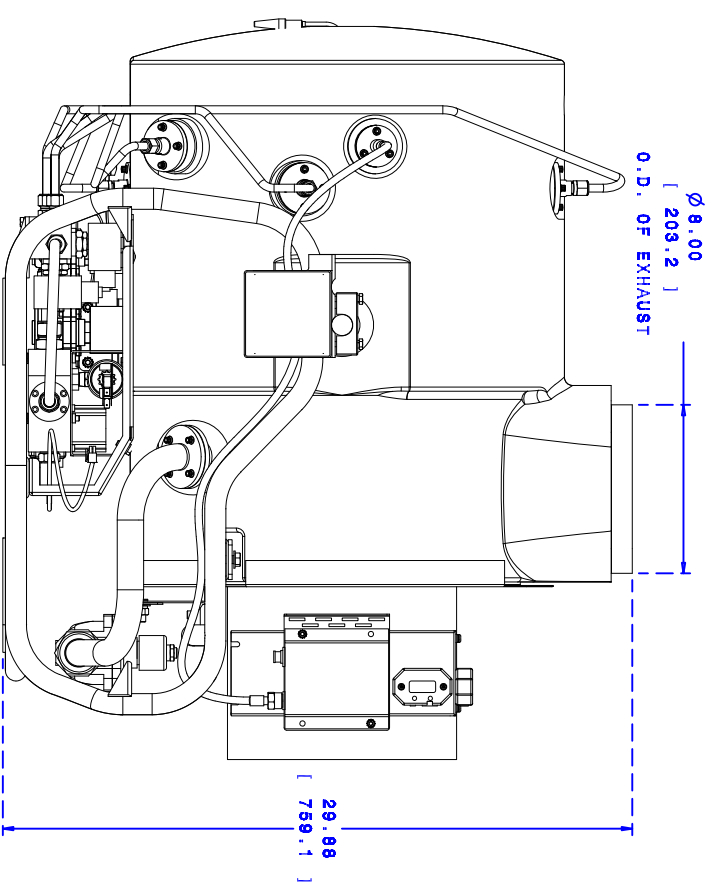
CAD FILE

File: C65 HEV DIMENSIONS
Drawn by: pbrault
Plot Date: 12/5/2008 11:59 AM
Rev: Date:
Rev: Date:
Rev: Date:

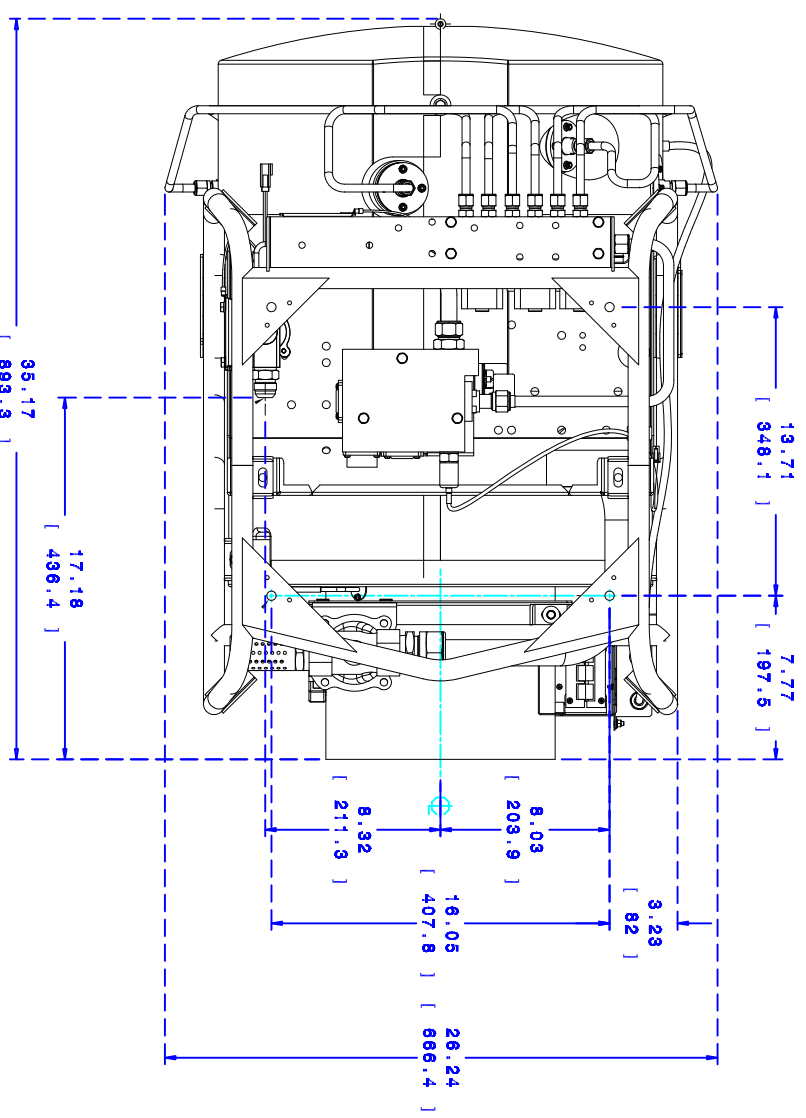
SCALE

NOT TO SCALE

NOTICE:
CAPSTONE CONFIDENTIAL AND PROPRIETARY
This document contains information which is both confidential and proprietary to Capstone. Neither this document nor the information contained herein shall be copied, disclosed to others or used for any purposes beyond the specific purpose for which this document was delivered without the express written permission of Capstone.



SIDE VIEW



BOTTOM VIEW

